



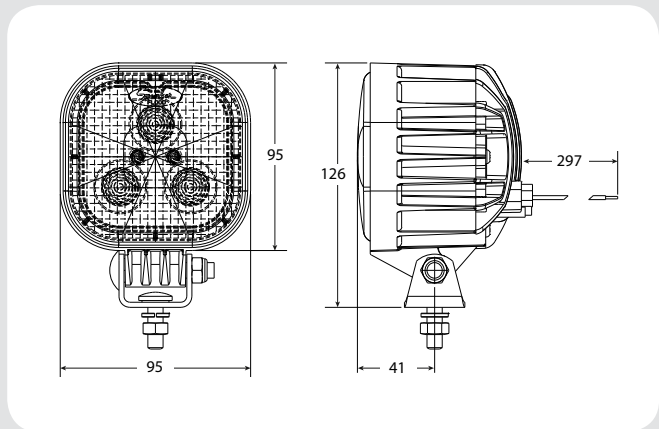
832 Series

LED Work Light

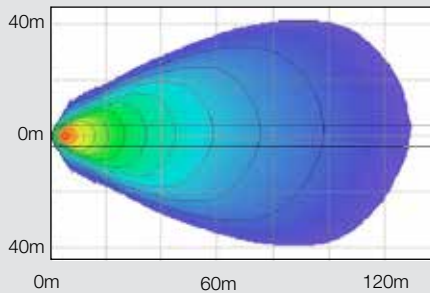
Size:	95 x 95mm
Lens:	Polycarbonate
Housing:	Die-Cast

Product Specifications

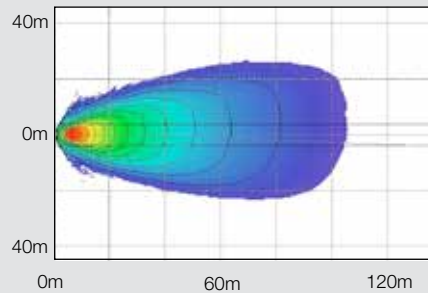
Light Source:	LED (Light Emitting Diodes)
Raw:	2400 Lumens
Effective:	1425 Lumens
Input Voltage:	12 or 24V DC
Current Draw:	2.9 Amps @ 12 volts
	1.36 Amps @ 24 volts
Standards:	Sealed to IP69K
Mounting:	Universal mount
Wiring:	Hard wired with 300mm cable. Supplied with 2-pin Deutsch weather-proof socket.



Flood (2.5m high at 15°)



Trap (2.5m high at 10°)



Part No.	Pattern	Lens	Voltage	Light Output	Description
0547411	Trap	Polycarbonate	12/24V	White	LED XL Mining Complete Work Light
0547401	Flood	Polycarbonate	12/24V	White	LED XL Mining Complete Work Light