



Engineered Lighting Solutions

523 Series

LED Work Light

The 523 Series is a great medium sized, all purpose scene light that is designed to deliver a massive 8,100 RAW Lumens of clean white light.

This rectangular light features a heavy duty die-cast Aluminum housing and an extra heavy duty universal mounting bracket making it ideal for the toughest conditions. The 8,100 RAW Lumens of light is carefully distributed with 2 beam pattern options, wide flood, and narrow flood.

Specially designed for tough conditions, the 523 Series comes with a durable glass lens while the rugged solid state LEDs can withstand extensive shock & vibration.

The 523 Series meets stringent quality standards and is fully sealed to withstand high-power washing and extreme industrial environmental conditions. The 523 Series also includes an integrated 2-pin Deutsch weather-proof socket.



Size: 220 x 155mm

Lens: Glass

Housing: Die-Cast

Product Specifications

Light Source: LED (Light Emitting Diodes)

Raw: 8100 Lumens

Effective: 3900 Lumens

Input Voltage: 12 or 24V DC

Current Draw: 6.7 Amps @ 12V

3.7 Amps @ 24V

Standards: Sealed to IP69K

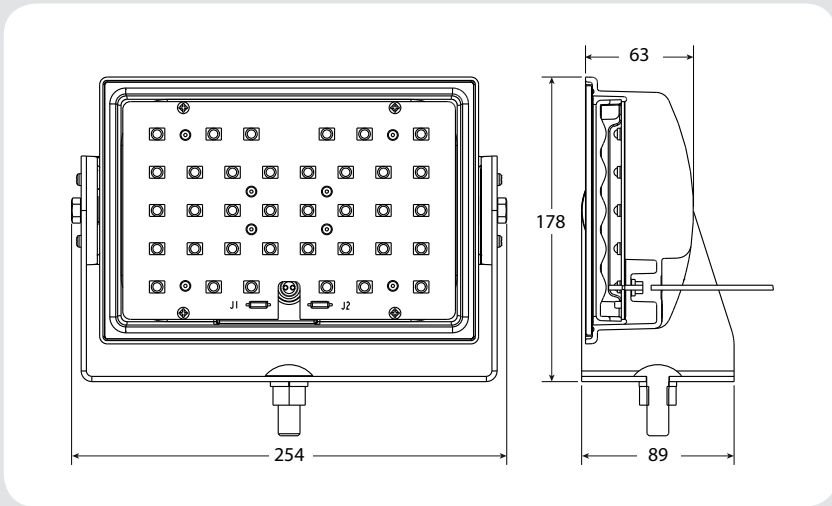
Mounting: Heavy duty universal mount

Wiring: Hard wired with 300mm cable. Supplied with 2-pin Deutsch weather-proof socket.

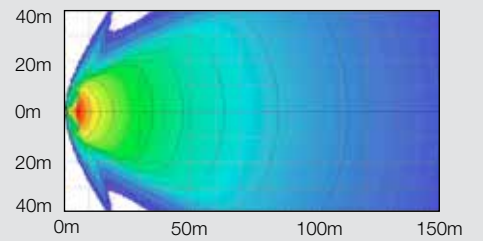




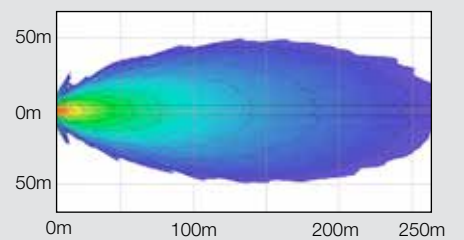
THE PERFECT LIGHTING FOR ANY SCENE!



Wide Flood (2.5m high at 10°)



Narrow Flood (2.5m high at 5°)



Part No.	Pattern	Lens	Voltage	Light Output	Description
0547361	Wide Flood	Glass	12V	White	LED XL Mining Complete Work Light
0547371	Wide Flood	Glass	24V	White	LED XL Mining Complete Work Light
0547381	Narrow Flood	Glass	12V	White	LED XL Mining Complete Work Light
0547391	Narrow Flood	Glass	24V	White	LED XL Mining Complete Work Light