



# M a r i n e

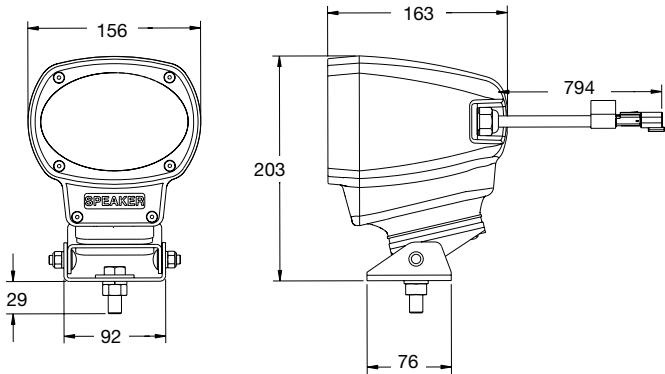
## 9700 Series



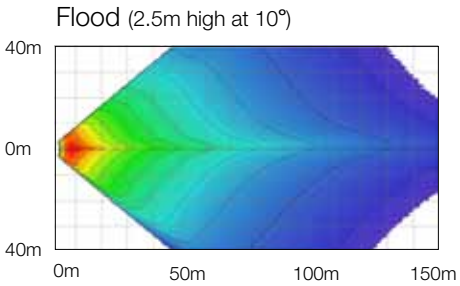
Function: Worklamp (HID)  
 Size: 156 x 111mm  
 Lens: Glass  
 Housing: Reinforced Nylon

**Product Specifications**

Light Source: HID (High Intensity Discharge)  
 Input Voltage: 12V or 24V DC  
 Current Draw: 3.3 Amps @ 12 volts  
                   1.65 Amps @ 24 volts  
 Lumens: 2100 lumen  
 Standards: Sealed to IP68  
 Connector: Integrated 2-pin Deutsch weather-proof socket  
 Mounting: Heavy duty universal, stainless mount  
 Wiring: Pre-wired loom, 2-pin Deutsch weather-proof socket, 740mm cable



**Effective Lumens Isolux Charts**



Part No.	Pattern	Voltage	Wattage	Light Output	Description
1701451	Flood	12V	35W	White	Complete worklamp - Marine
1705351	Flood	24V	35W	White	Complete worklamp - Marine
85410	-	-	-	-	85V 35W Philips D1S bulb
6600440	-	-	-	-	12V Ballast
6600450	-	-	-	-	24V Ballast
3155021	-	-	-	-	Flood lens insert
3258870	-	-	-	-	Ballast cable 175mm
3154562	-	-	-	-	Ballast to bulb cable