



Marine

8450 Series



Function: Worklamp (HID)

Size: 145mm round

Lens: Glass

Housing: Reinforced Nylon

**Product Specifications**

Light Source: HID (High Intensity Discharge)

Light Output: 2100 Lumens

Input Voltage: 12 or 24V DC

Current Draw: 3.3 Amps @ 12V

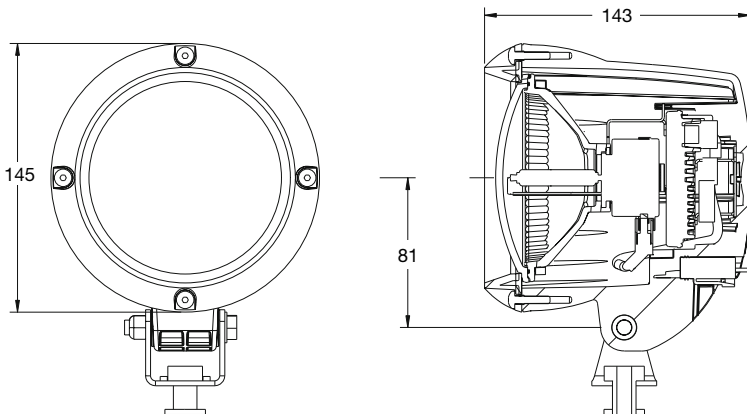
1.65 Amps @ 24V

Standards: Sealed to IP67

Connector: Integrated 2-pin Deutsch weather-proof socket

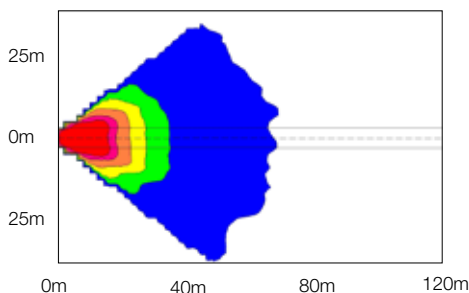
Mounting: Universal mount, stainless hardware

Wiring: Supplied with 2-pin Deutsch weather-proof plug with 300mm cable



**Effective Lumens Isolux Charts**

Flood (2.5m high at 15°)



Part No.	Pattern	Voltage	Wattage	Light Output	Description
0541271	Flood	12V	35W	White	Complete worklamp
0545271	Flood	24V	35W	White	Complete worklamp
85410	-	-	-	-	85V 35W Philips D1S bulb
6600380	-	-	-	-	12V Ballast
6600420	-	-	-	-	24V Ballast
0541471	-	-	-	-	Flood lens insert