



M a r i n e

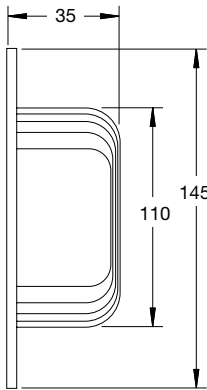
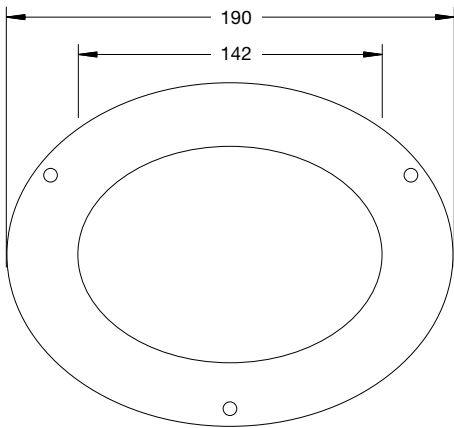
7 3 4 S e r i e s



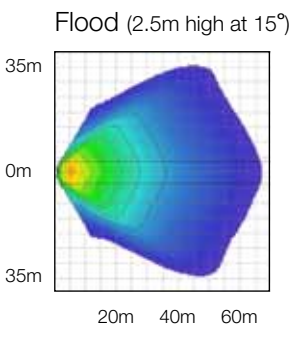
Function: Worklamp / Interior light
 Size: 190 x 145mm
 Lens: Polycarbonate
 Housing: Die-Cast

Product Specifications

Light Source: LED (Light Emitting Diodes)
 Raw: 2700 Lumens
 Effective: 1400 Lumens
 Input Voltage: 12 or 24V DC
 Current Draw: 3.7 Amps @ 12V
 1.7 Amps @ 24V
 Standards: Sealed to IP67
 SAE J575-Sealed, shock & vibration
 Connector: Integrated 2-pin Deutsch weather-proof socket
 Mounting: Flush mount
 Wiring: Supplied with 2-pin Deutsch weather-proof plug with 300mm cable



Effective Lumens Isolux Charts



Part No.	Pattern	Lens	Voltage	Light Output	Description
1705181	Flood	Polycarbonate	12V	White	Worklamp / Interior Light Flush mount
1705191	Flood	Polycarbonate	24V	White	Worklamp / Interior Light Flush mount