



LED

708 Series



Function: Reverse Light

Size: 145 x 95mm oval

Lens: Polycarbonate

Housing: Die-Cast

Product Specifications

Light Source: LED (Light Emitting Diodes)

Input Voltage: 12-48V DC

Current Draw: 2.0 Amps @ 12V

1.0 Amps @ 24V

0.66 Amps @ 36V

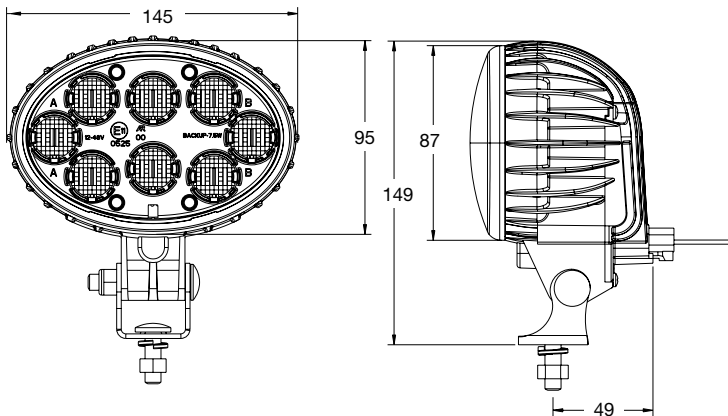
0.5 Amps @ 48V

Standards: Sealed to IP67
SAE J575-Sealed, shock & vibration
E approved E11 0525

Connector: Integrated 2-pin Deutsch
weather-proof socket

Mounting: Universal mount

Wiring: Supplied with 2-pin Deutsch
weather-proof plug with 300mm cable



Part No.	Pattern	Lens	Voltage	Light Output	Description
1705071	Reverse	Polycarbonate	12-48V	White	Complete reverse light