



Auxiliary

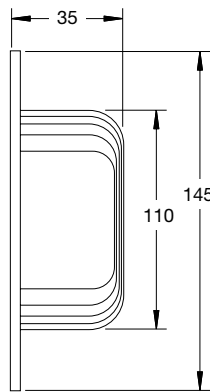
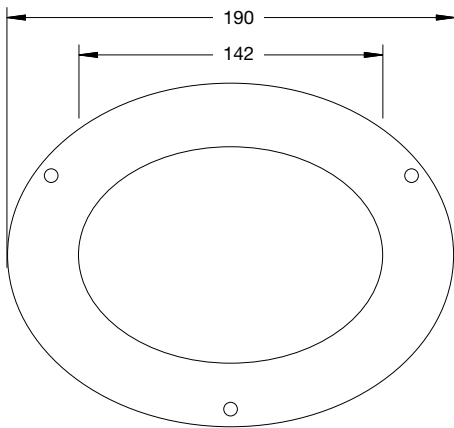
734 Series



Function:	Worklamp / Interior light
Size:	190 x 145mm
Lens:	Polycarbonate
Housing:	Die-Cast

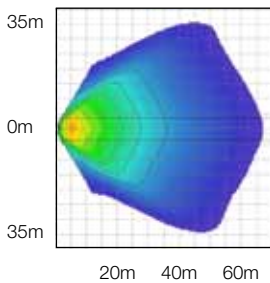
Product Specifications

Light Source:	LED (Light Emitting Diodes)
Raw:	2700 Lumens
Effective:	1400 Lumens
Input Voltage:	12 or 24V DC
Current Draw:	3.7 Amps @ 12V
	1.7 Amps @ 24V
Standards:	Sealed to IP67
	SAE J575-Sealed, shock & vibration
Connector:	Integrated 2-pin Deutsch weather-proof socket
Mounting:	Flush mount
Wiring:	Supplied with 2-pin Deutsch weather-proof plug with 300mm cable



Effective Lumens Isolux Charts

Flood (2.5m high at 15°)



Part No.	Pattern	Lens	Voltage	Light Output	Description
1705181	Flood	Polycarbonate	12V	White	Worklamp / Interior Light Flush mount
1705191	Flood	Polycarbonate	24V	White	Worklamp / Interior Light Flush mount