



Auxiliary

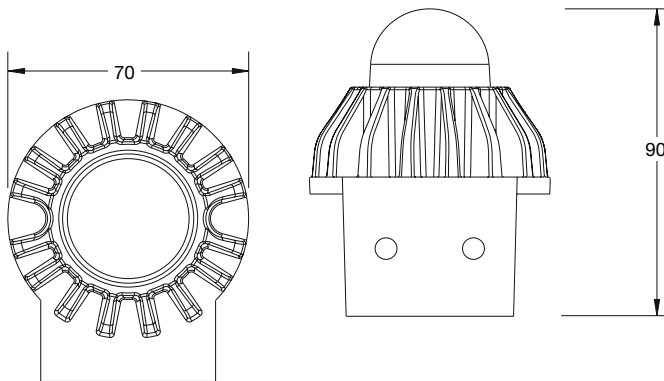
408 Series



Function:	LED Engine Light LED Compartment Light
Size:	70mm Round
Lens:	Tempered Glass
Housing:	Die-Cast

Product Specifications

Light Source:	LED (Light Emitting Diodes)
Input Voltage:	12-24V DC
Current Draw:	0.5 Amps @ 12/24 volts
Standard:	IP67, SAEJ575
Mounting:	Universal mount
Wiring:	Pre-wired with 150mm cable
Features:	Ideal for engine compartment light. This lamp will automatically shut down when temperatures exceed 115° C and will re-light when the temperature has reduced to 110° C or less.



Part No.	Lens	Voltage	Light Output	Description
0442502	Tempered Glass	12-24V	White	Engine compartment light