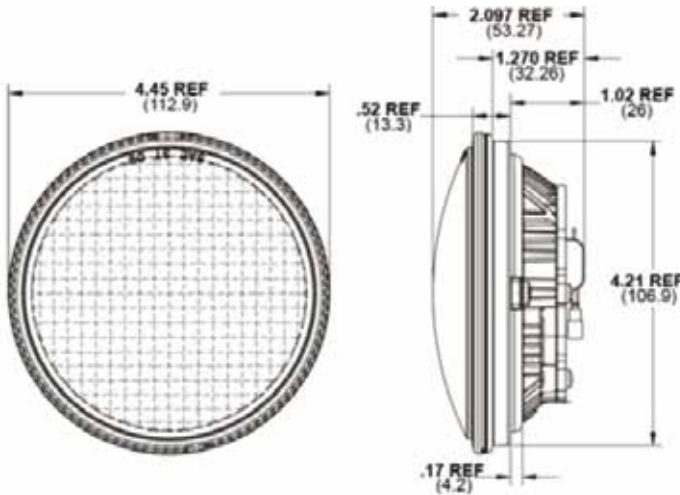




Lamp Inserts 6042 Series



Function: LED Stop/Tail Lamp

Size: 114mm Round (4^{1/2}"

Lens: Polycarbonate

Housing: Die-cast Aluminium

Product Specifications

Light Source: LED (Light Emitting Diodes)

Raw: 690 Lumens

Effective: 280 Lumens

Input Voltage: 12-48V DC

Current Draw:

Stop Function: 0.165amps @ 12V

0.180amps @ 24V

Tail Function: 0.012amps @ 12V

0.012amps @ 24V

Mounting: Replaces PAR 36 Sealed beams

Standards: Sealed to IP67

Connector: Female Terminal Molex ETC
AA-2140 T or #8 Ring Terminal

Replaces: The 6042 series is a Stop/Tail LED sealed beam direct replacement for the 4825R incandescent sealed beam used on Agricultural / Mining equipment.

Part No.	Pattern	Lens	Voltage	Light Output	Description
0343211	Flood	Polycarbonate	12-24V	Red	PAR36 LED sealed beam 114mm